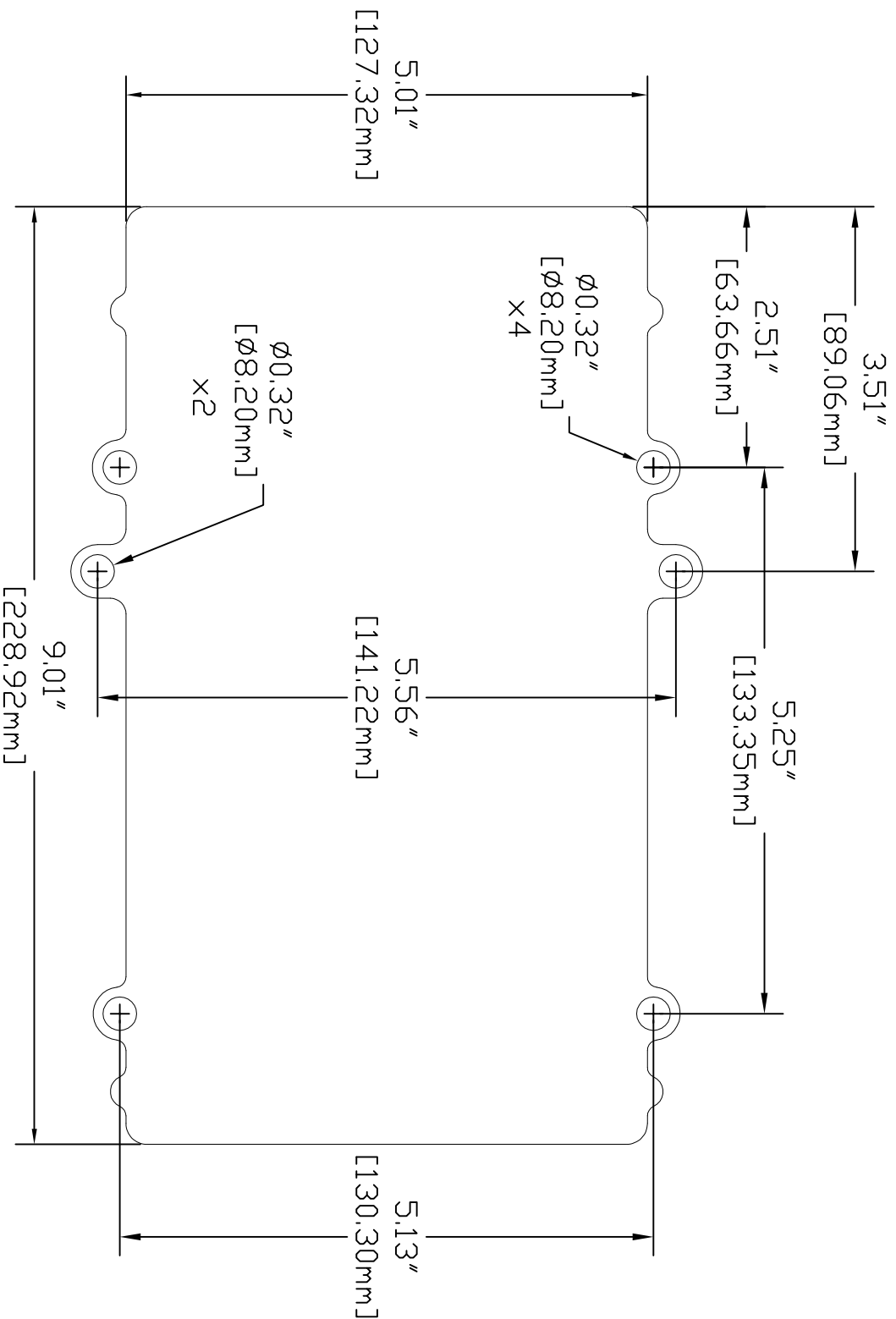


# DRILL TEMPLATE



PART NO. DOC110-034

DO NOT SCALE DRAWING

REVISIONS				DWG SCALE: NTS	
REV.	ECO.	DATE	APVD	DRAWN	R. CSUK
A	120814021615	RC		ENGR	D.Crockett
<small>THIS TECHNICAL DATA IS PROPRIETARY AND SHALL NOT BE USED, REPRODUCED, COPIED, OR DISCLOSED IN ANY MANNER WITHOUT THE WRITTEN PERMISSION OF ALLTRAX INC.</small>					
<b>ALLTRAX</b> 1111 Cheney Creek Rd. Grants Pass, OR 97527 PHONE:(541) 478-3565					
TITLE: XCT & SR MOUNTING HOLE SIZE: DOCUMENT NO. DOC110-034 FILE: _DWG-XCT-SR-DRILL-TEMPLATE.DWG SHEET 1 of 1					