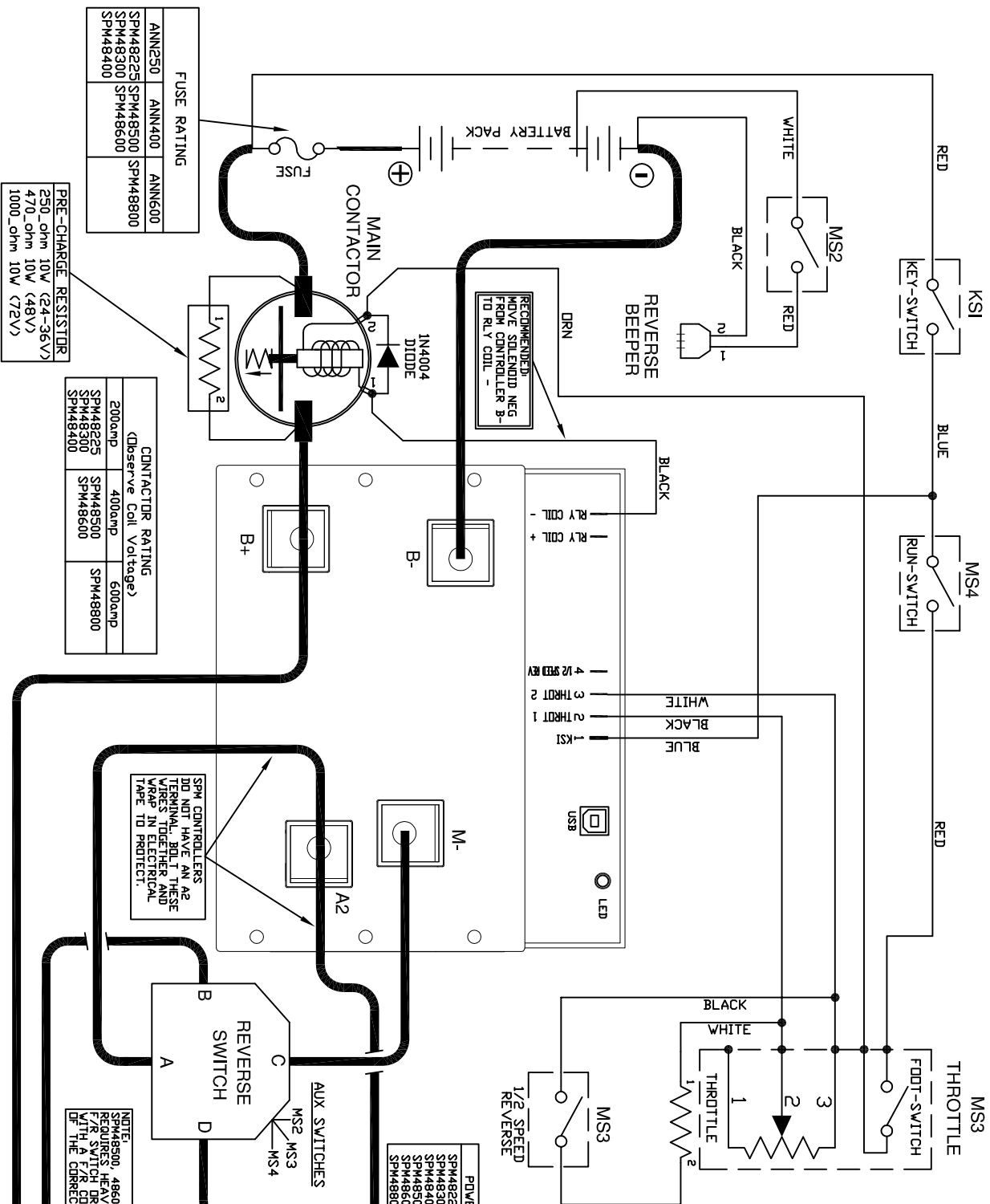


SPM/SPB to E-Z-GO MARATHON/MEDALIST

Year: PRE-1994
1204 REPLACEMENT
0-5K OHM THROTTLE
SERIES MOTOR

SPB MODEL SHOWN



POWER WIRE SIZING

SPM48225	6AWG - 4AWG
SPM48300	6AWG - 4AWG
SPM48400	4AWG
SPM48500	2AWG-1/0 AWG
SPM48600	2AWG-2/0AWG
SPM48800	2/0AWG-4/0AWG

NOTE:
SPM48500, 48600, 48800
REQUIRE A 1/2" REVERSE
SWITCH TO BE INSTALLED
WITH A F/R CONTACTOR
OF THE CORRECT SIZE

SPM CONTROLLERS
DO NOT HAVE AN AP
TERMINAL. BOLT THESE
WIRES TOGETHER AND
TAPE TO PROTECT.

CONTACTOR RATING
(Observe Coil Voltage)

200amp	400amp	600amp
SPM48225	SPM48500	SPM48800
SPM48300	SPM48600	SPM48800
SPM48400		

FUSE RATING

ANN250	ANN400	ANN600
SPM48225	SPM48500	SPM48800
SPM48300	SPM48600	
SPM48400		

PRE-CHARGE RESISTOR
250_ohm 10W (24-36V)
470_ohm 10W (48V)
1000_ohm 10W (72V)

TAB	FUNCTION
1	KSI VOLTAGE
2	THROTTLE
3	THROTTLE
4	1/2 SPEED REVERSE
B+	BATTERY POSITIVE
B-	BATTERY NEGATIVE
M-	MOTOR MINUS

NOTES:

- * FUSES REQUIRED FOR ALL INSTALLATIONS
- * DIODE REQUIRED ACROSS COILS / RELAYS
- * PRE-CHARGE RESISTOR REQUIRED
- > ASSUMES FOOTSWITCH IS OPEN WHEN THROTTLE OFF WITHOUT NOTICE
- > ALLTRAX RESERVES THE RIGHT TO CHANGE DOCUMENTATION
- > ALLTRAX MAKES NO WARRANTY AS TO THE ACCURACY, SUFFICIENCY, OR SUITABILITY OF ANY TECHNICAL OR OTHER INFORMATION PROVIDED
- > SEE OPERATORS MANUAL FOR MORE INFORMATION

REVISIONS

REV.	ECO.	DATE	APVD
B	032612	032712	RC
C	012513	012513	RC

DWG SCALE: 1:1

DRAWN	R CSUK	12/8/10
ENGR	D CROCKETT	12/8/10

PROPRIETARY
THIS TECHNICAL DATA IS PROPRIETARY
AND IS TO BE KEPT CONFIDENTIAL
REPRODUCED, RELEASED, OR DISCLOSED
IN WHOLE OR IN PART WITHOUT THE
PERMISSION OF ALLTRAX INC.

DO NOT SCALE DRAWING

TITLE		1111 Cheney Creek Rd. Grants Pass, OR 97527 PHONE:(541) 476-3565	
SPM/SPB - EZGO Medalist Replacement Wiring Diagram		SIZE	DOC110-007
REV.	DOC110-007	REV.	C

FILED:\DOC110-007-C-DWG-SPM-EZGO-Pre-1994-INC-DWG SHEET 1 OF 1